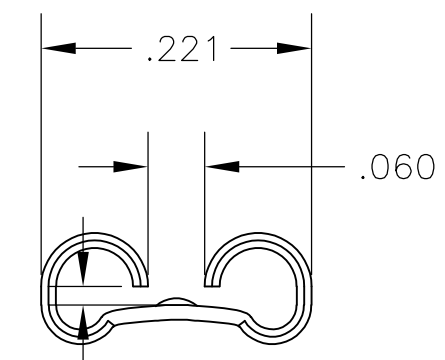
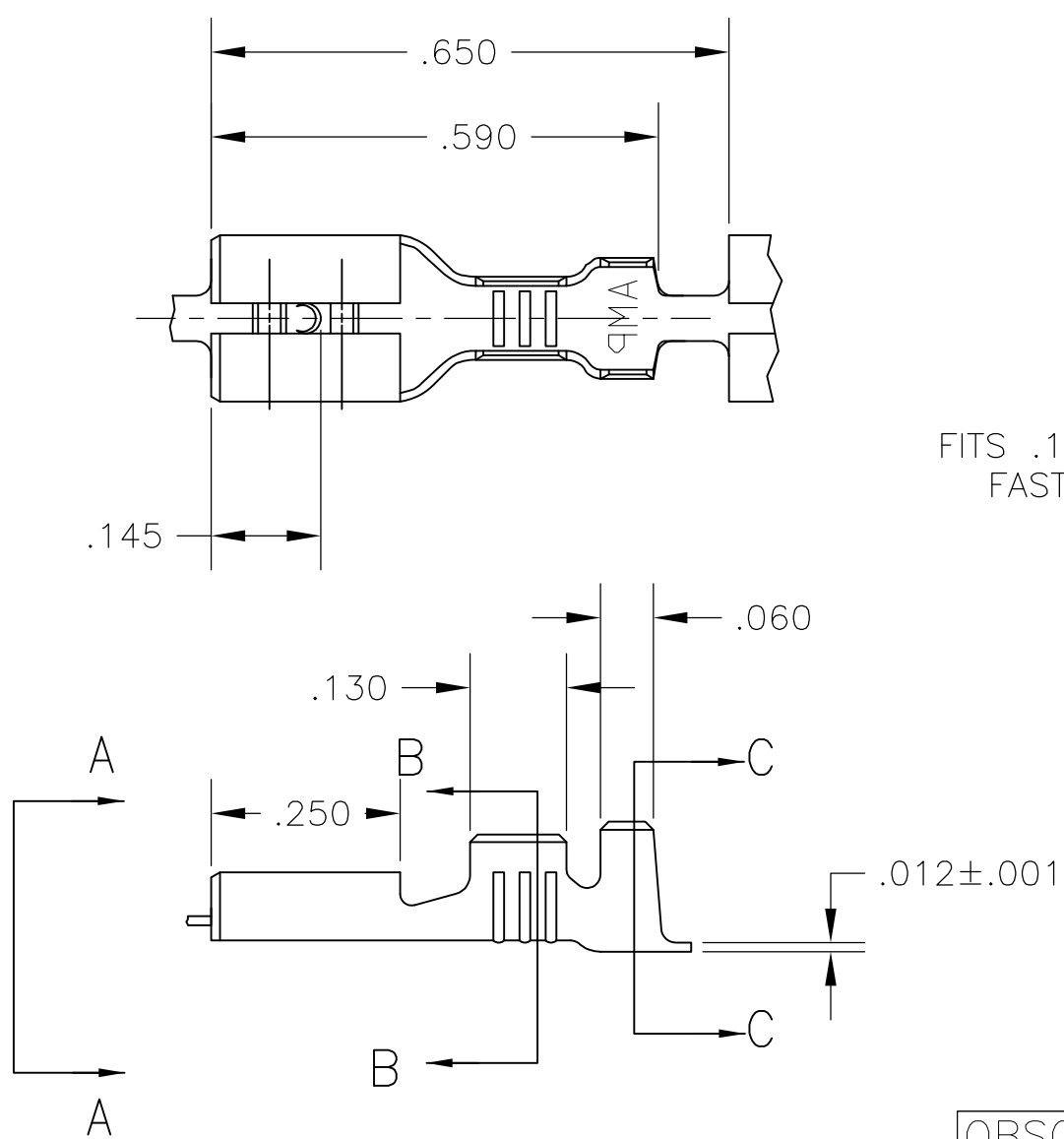


THIS DRAWING IS UNPUBLISHED. RELEASED FOR PUBLICATION
 © COPYRIGHT - By - ALL RIGHTS RESERVED.

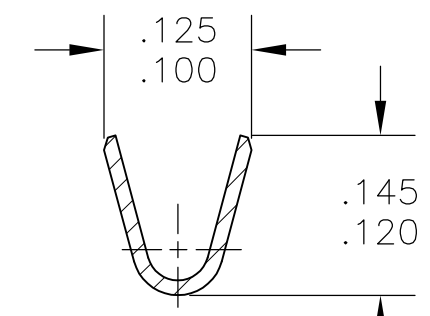
LOC	DIST	REVISIONS					
AF	50	P	LTR	DESCRIPTION	DATE	DWN	APVD
		AG		REVISED PER ECR-12-013445	18OCT12	KH	PD

1 CONTINUOUS STRIP ON REELS.

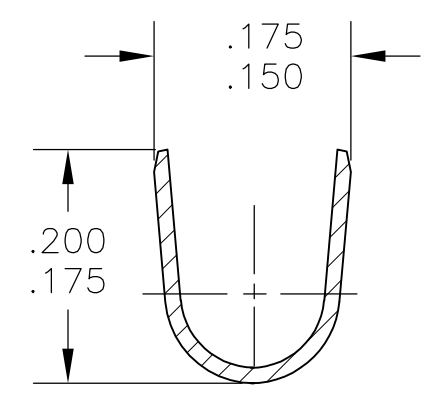


FITS .187 SERIES FASTON TAB

VIEW A-A



SECTION B-B



SECTION C-C

	TIN	#4H PH BRZ	.090-.130	20-16	.020 ±.001	42452-5
OBSOLETE	SILVER	#4H PH BRZ	.090-.130	20-16	.020 ±.001	42452-4
OBSOLETE	SILVER	#4H BRASS	.090-.130	20-16	.020 ±.001	42452-3
	TIN	BRASS	.090-.130	20-16	.020 ±.001	42452-2
	--	BRASS	.090-.130	20-16	.020 ±.001	42452-1
	FINISH	MATERIAL	INSULATION RANGE	WIRE SIZE	MATING TAB THK.	PART NO.

THIS DRAWING IS A CONTROLLED DOCUMENT.		DWN	JR RUTH	10/3/86	TE Connectivity RECEPTACLE, FASTON, .187 SERIES
DIMENSIONS: INCHES		CHK	G YETTER	10/3/86	
TOLERANCES UNLESS OTHERWISE SPECIFIED:		APVD	R KUZO	10/8/86	
0 PLC ± - 1 PLC ± - 2 PLC ± - 3 PLC ± .015 4 PLC ± - ANGLES ± -		PRODUCT SPEC		NAME	
MATERIAL SEE ABOVE		FINISH SEE ABOVE		APPLICATION SPEC	SIZE
				WEIGHT	A3
				CUSTOMER DRAWING	
				CAGE CODE	00779
				DRAWING NO	C-42452
				RESTRICTED TO	-
				SCALE	NTS
				SHEET	1 OF 1
				REV	AG